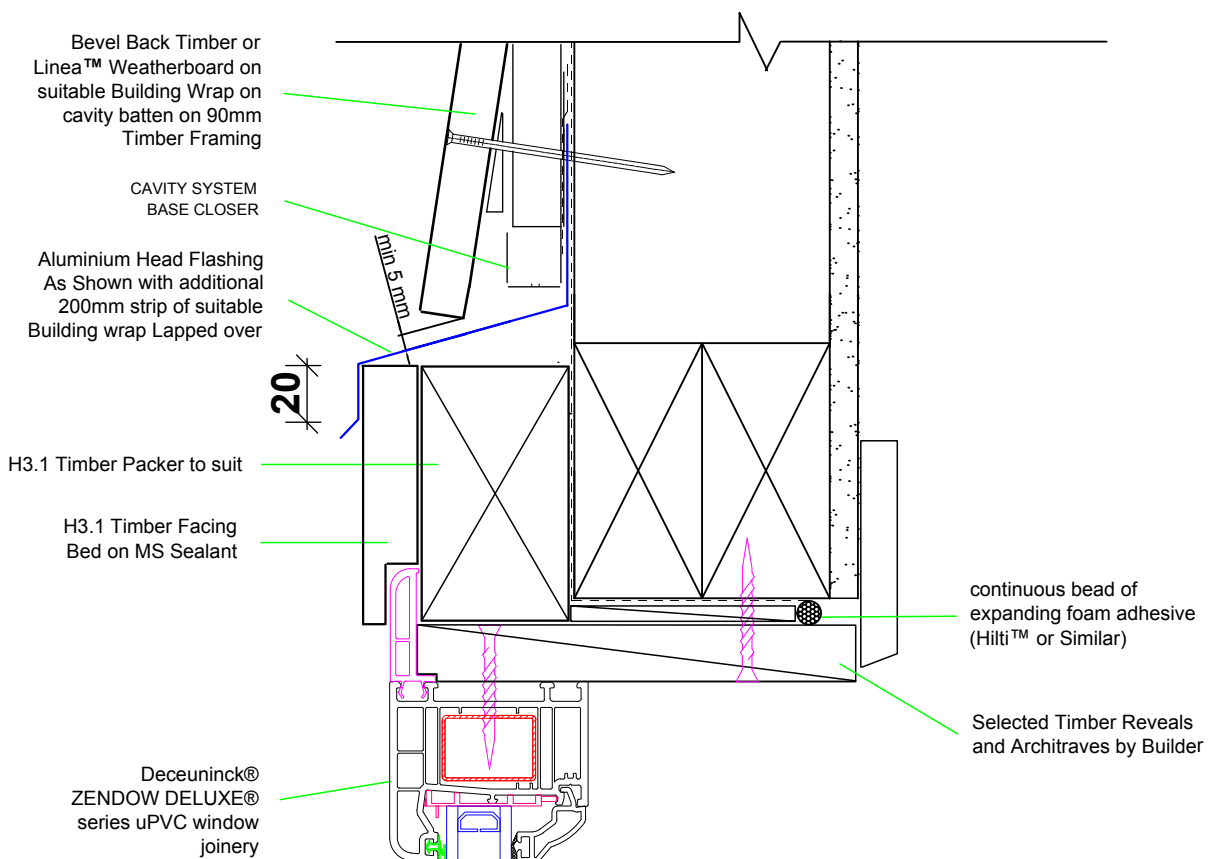


Window Head Detail

Detail DIR.WIN.A.1.H1

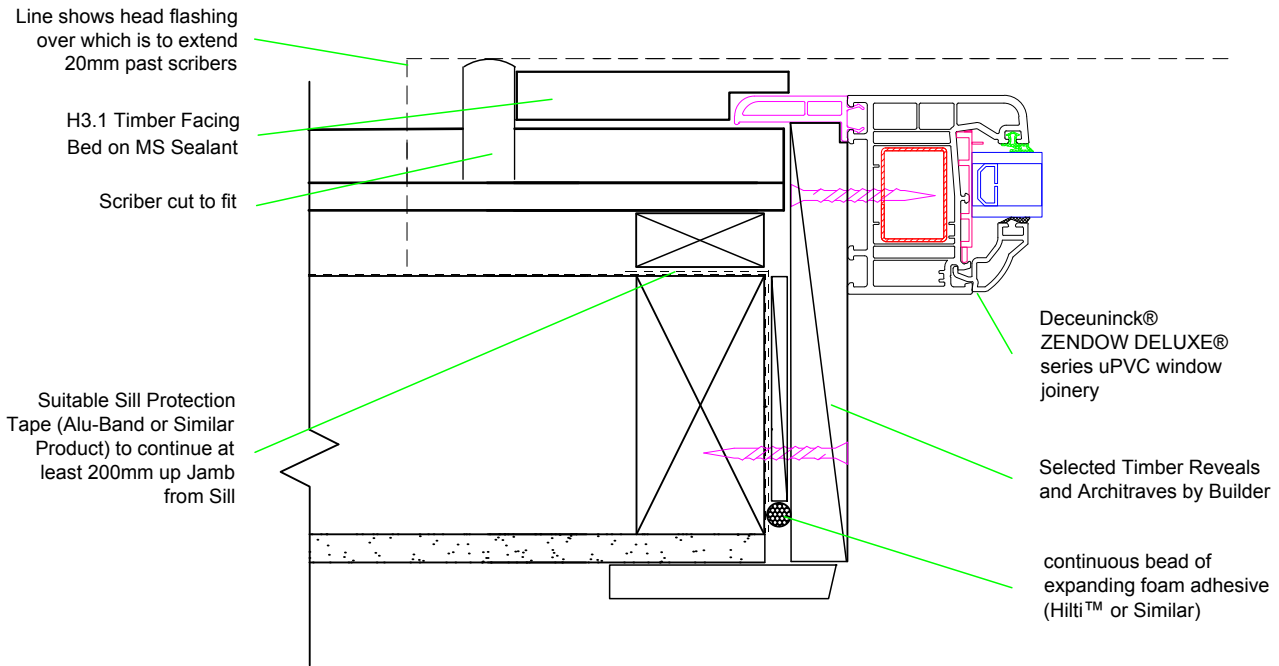


Window Head Detail

Detail DIR.WIN.A.3.H

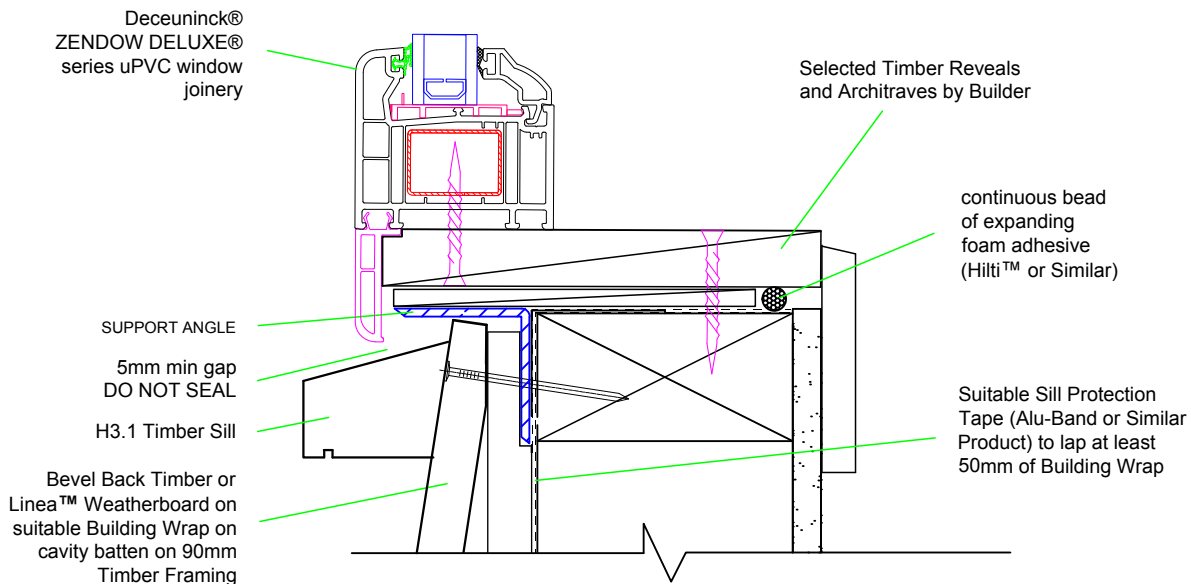
WINDOW

Bevel back weather
boards on cavity batten
with timber facings



Window Jamb Detail

Detail DIR.WIN.A.3.J



Window Sill Detail

Detail CAV.WIN.A.3.S

WINDOW

Bevel back weather boards on cavity batten with timber facings